

METHOD STATEMENT

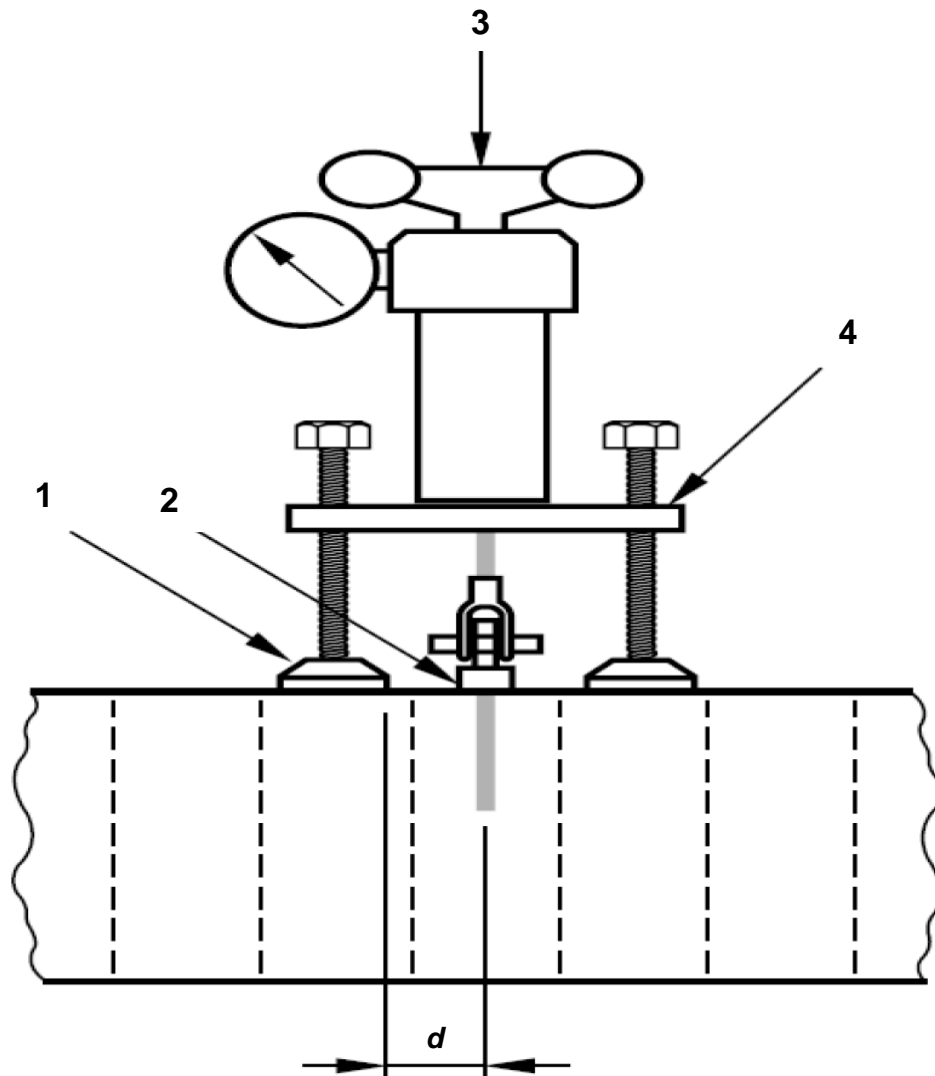
FOR

ANCHOR TESTING

PULL-OUT TEST OF HILTI ANCHORING SYSTEM WITH SAFE RING

- 1. Engage the pulling rod with the safe ring using the secured hook.**
- 2. Put the loading frame through the pulling rod.**
- 3. Engage test equipment with the pulling rod.**
- 4. Slowly increase tensile load until desired load is achieved.**
- 5. Once the reading has stabilized at the desired tensile load (kN), observe that the reading is held for 1 minute before releasing the load.**

CONCEPTUAL SKETCH OF ARRANGEMENT OF REACTION LOADS FOR TESTING AN ANCHOR DEVICE SETTING



1. Feet positioned to take reaction loads onto adjacent concrete units.
2. Safe Ring with Hilti Anchoring System
3. Test Equipment (Hydraulic Jack, Mark 4 Tester, DPG 100 Tester)
4. Load spreading bridge (Metal Chair)